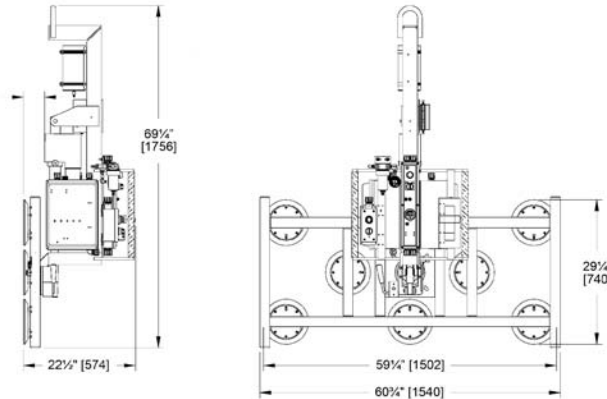
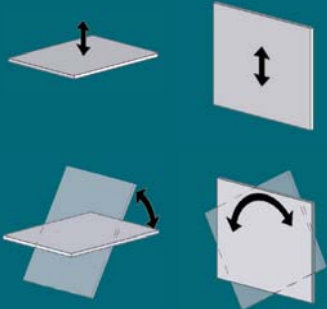


**MRPT89DC**  
**1000 lbs [455 kg]**

**MANUAL ROTATOR/  
 POWER TILTER/ DC**

With fully powered 360° rotation and 90° tilt, this Powr-Grip® vacuum lifter offers maximum ease in the manipulation of heavy materials on the production line.



Shown with optional Vacuum Loss Warning Buzzer, Pad Shutoffs and Telescoping Pad Arms

**THE ORIGINAL  
 & TRUSTED NAME  
 IN VACUUM LIFTING  
 EQUIPMENT**



908 West Main - P.O. Box 368  
 Laurel, Montana 59044 U.S.A.  
 406.628.8231 (phone)  
 406.628.8354 (fax)

**800.548.7341**  
**www.WPG.com**

|   |  |
|---|--|
| Standard Pad Spread   | 29 1/4" x 59 1/4" [740 x 1502 mm]  |
| Number / Size of Pads   | 8 / 9" [23 cm ] diameter   |
| Load Capacity<br>(On smooth, nonporous surfaces.<br>Please contact us for<br>recommendations on other<br>surfaces.) | 1000 lbs [455 kg]  |
| Unit Weight   | 306 lbs [139 kg]   |
| Standard Operating Power  | 12 volts DC, 54 amps   |
| Apply   | 6 seconds (approximately)  |
| Release   | 4 seconds (approximately)  |
| Load Movement   | Manual rotation, 360° edgewise, with locking at each quarter point<br>Power tilt, 90° between upright and flat   |
| Time for 90° Tilt   | 17 seconds (approximately)   |
| Tilt Duty   | 48 tilts per hour  |
| Standard Features   | Rechargeable 31 amp-hour battery<br>Battery energy gauge<br>Battery charger<br>Green lift light<br>Movable control pendant<br>Vacuum gauge<br>Vacuum reserve tank<br>Vacuum line filter<br>Spring-mounted pads<br>Blow-off for quick release   |
| Available Options   | Dual vacuum system (EO10DVS)<br>Vacuum loss warning buzzer (EO3VLW)<br>Individual pad shutoffs (CM1COWB)<br>Telescoping pad arms (CF3TAO)<br>Removable pad arms (CF2EAO)<br>Interchangeable pad frames (CF1IFO)<br>Movable pad mounts (CM2SCM) |
| Design Standards<br>(See www.WPG.com for more<br>information.)  | ASME B30.20 - 2006<br>(BTH-1 Design Category "B", Service Class "0")   |

Environmental conditions can affect product performance and longevity; consult the product instructions on www.WPG.com or contact a Technical Sales Representative for more information.  
 Based on product information at time of publication.

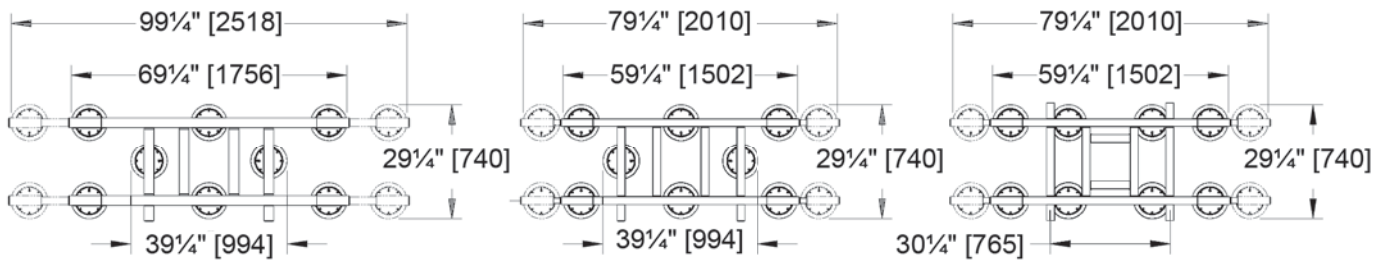


Products are manufactured under an ISO 9001 quality management system

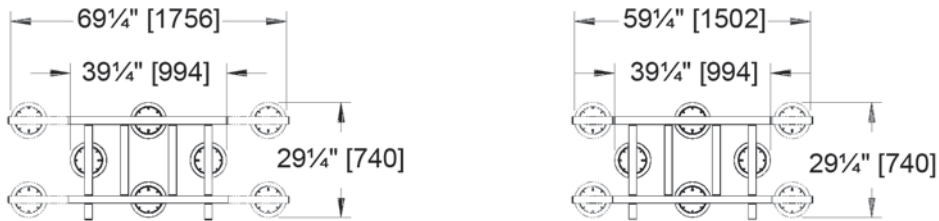
Wood's Powr-Grip products are sold through authorized dealers.

# STANDARD INTERCHANGEABLE PAD FRAMES

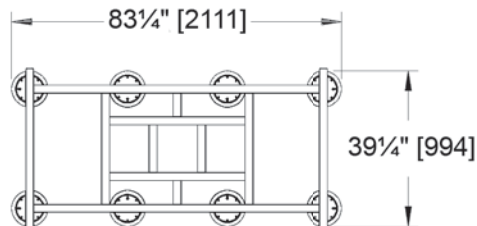
## Telescoping Pad Arms (CF3TAO)



## Removable Pad Arms (CF2EAO)



## Interchangeable Pad Frame (CF1IFO)



(Custom Sized Pad Frame Also Available)