

MANUAL ROTATOR 4200

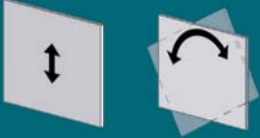


MR2411LDCS vacuum lifter shown with custom pad frame.

With continuous 360° rotation, DC power and adaptable frame configurations, this high-capacity Powr-Grip® vacuum lifter provides the ideal solution for installing enormous architectural panels and similar jobs.

Standard Pad Spread	Maximum: 68" x 162" [1727 mm x 4115 mm] Minimum: 68" x 101¼" [1727 mm x 2572 mm]
Number / Size of Pads	24 (maximum) / 11" [28 cm] diameter, lipped vacuum pads
Load Capacity	4200 lbs [1905 kg] (note: 4000 lbs [1815 kg] capacity with pad frame shown above)
Unit Weight	1795 lbs [815 kg] (maximum)
Standard Operating Power	12 volts DC, 26 amps
Load Movement	Manual rotation, 360° edgewise, with automatic latching every 15° (when desired)
Standard Features	Multi-position lift shackle On-board battery and charger Battery energy gauge Green lift light Movable control pendant Vacuum gauge Vacuum reserve tank Vacuum line filter Removable lift bar extension Removable pad frame sections Spring-mounted vacuum pads Blow-off for quick release Removable parking stand
Available Options	Dual vacuum system (EO10DVS) Vacuum loss warning buzzer (EO3VLW) Individual vacuum pad shutoffs (CM1COWB) Short lift bar (LB11SLB) Removable pad arms (CF2EAO) Remote control system (EO8RC3) Special pad frame sizes and capacities
Design Standards (See www.WPG.com for more information.)	ASME B30.20 - 2006 (BTH-1 Design Category "B", Service Class "0")

MR2411LDCS
4200 lbs [1905 kg]



**THE ORIGINAL
 & TRUSTED NAME
 IN VACUUM LIFTING
 EQUIPMENT**



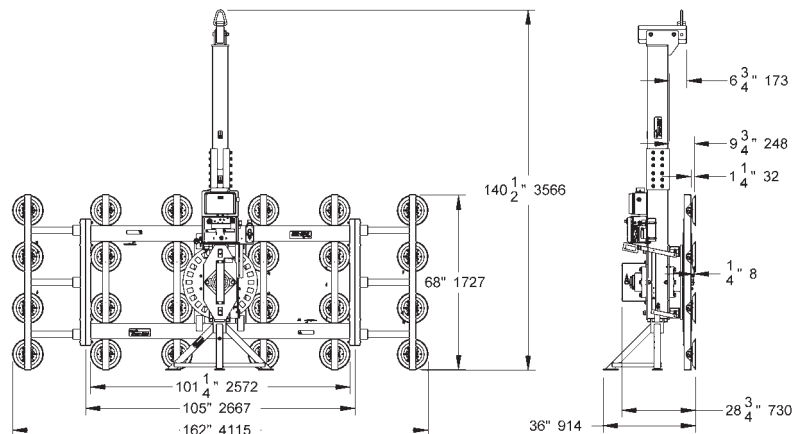
908 West Main - P.O. Box 368
 Laurel, Montana 59044 U.S.A.
 406.628.8231 (phone)
 406.628.8354 (fax)

800.548.7341
www.WPG.com



Products are manufactured under an ISO 9001 quality management system

Wood's Powr-Grip products are sold through authorized dealers.



Environmental conditions can affect product performance and longevity; consult the product instructions on www.WPG.com or contact a Technical Sales Representative for more information.
 Based on product information at time of publication.