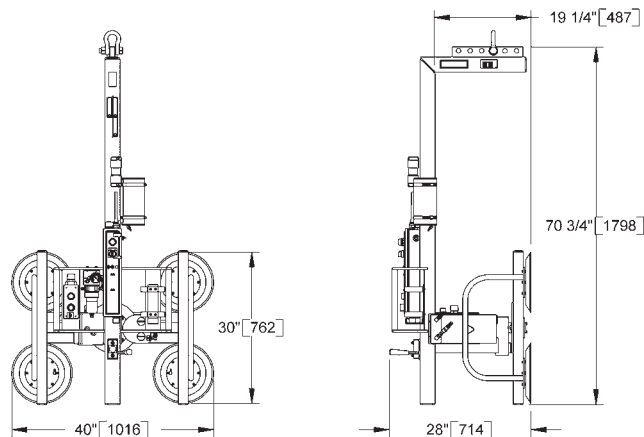


C-FRAME/MANUAL ROTATORS 500 & 700

These Powr-Grip® vacuum lifters feature continuous 360° rotation and a unique design for moving materials into and out of upright cases.

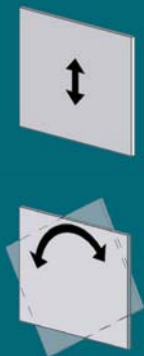


CFMR411LACS

700 lbs [320 kg]

CFMR49ACS

500 lbs [225 kg]



**THE ORIGINAL
 & TRUSTED NAME
 IN VACUUM LIFTING
 EQUIPMENT**



908 West Main - P.O. Box 368
 Laurel, Montana 59044 U.S.A.
 406.628.8231 (phone)
 406.628.8354 (fax)

**800.548.7341
 www.WPG.com**

	CFMR411LACS	CFMR49ACS
Standard Pad Spread	30" x 40" [762 x 1016 mm]	27" x 37" [686 x 940 mm]
Number / Size of Pads	4 / 11" [28 cm] dia. lipped	4 / 9" [23 cm] diameter
Load Capacity	700 lbs [320 kg]	500 lbs [225 kg]
Apply (approximately)	3 seconds	2 seconds
Release (approximately)	2 seconds	1 second
Standard Operating Power	120 volts AC, 50/60 hertz, 5 amps (Other voltages available)	
Load Movement	Manual rotation, 360° edgewise with locking at each quarter point.	
Standard Throat Depth	19 1/4" [487 mm]	
Standard Features	Vacuum reserve tank Vacuum line filter Vacuum gauge Multi-position lift shackle Green lift light Spring-mounted pads Industrial grade switches Twist-lock electrical plug Blow-off for quick release	
Available Options	Movable control pendant (EO9RP) Vacuum loss warning buzzer (EO3VLW) 12-Volt/DC vacuum back-up system (EO1DCB) Individual pad shutoffs (CM1COWB)	
Alternative Power Systems (Specifications may not be as listed above. Please contact us for more information.)	DC power system (CFMR411LDSCS or CFMR49DCS) Air (venturi) power system (CFMR411LAIRS or CFMR49AIRS)	
Design Standards (See www.WPG.com for more information.)	ASME B30.20 - 2006 (BTH-1 Design Category "B", Service Class "0")	



Products are manufactured under an ISO 9001 quality management system

Wood's Powr-Grip products are sold through authorized dealers.

Environmental conditions can affect product performance and longevity; consult the product instructions on www.WPG.com or contact a Technical Sales Representative for more information.
 Based on product information at time of publication.