

Rotator - optimises the working conditions

The Rotator is available in two models – with multi-purpose carriage or with forks - and can be fitted on stackers with lifting heights up to 1880/1910 mm.

The Rotator with forks can tilt crates and boxes so that the user can reach the contents without stretching and straining the back. The rotator can turn a box 180° to empty it fully.

On the Rotator with multi-purpose carriage it is possible to fix and rotate different items, such as tools. This model can be adapted to the requirements of the individual customer.

Focus is put on safety! To ensure the most optimum support of the box, it is possible to fit box holders with or without clamps.



Technical Specifications

The Rotator can be set to meet individual requirements of the customer and has the following advantages:

- Easy to set degree of tilt and rotation speed
- Precise and controlled acceleration/ deceleration on rotation at start/stop
- Simple construction
 - easy to exchange wearing parts
- Tilting function is deactivated automatically, when rotating to neutral position

Tilting function is deactivated when the rotation centre is more than 1180 mm or less than 680 mm above the floor.

Box holders with clamps are recommended when tilting more than 60°.



Multi-purpose carriage, which can be adjusted to fit specific customer items.



The Rotator can turn a box 180° to empty it fully, when equipped with box holders with clamps.



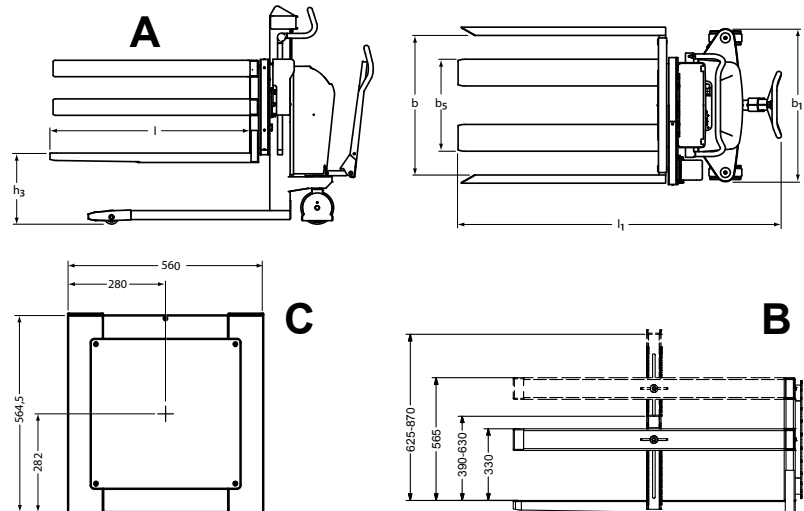
One or two sets of box holders with or without clamps (optional extras) can be fitted.



Remote control for rotation (with cable as standard/wireless as optional extra). Also available for the lifting/lowering function.



Easy to set degree of tilt and rotation speed.



A: With two sets of box holders.

B: With one set of box holders and one set of box holders with clamps. Recommended when tilting more than 60°.

C: Multi-purpose carriage.

Product (measured in mm)	ELFR, ELFSR	SELF, SELFSR
Capacity	Maximum 1000 kg when the load centre is maximum 80 mm from the rotation centre. The load capacity that can be tilted is reduced, the larger the distance is between load centre of the load and rotation centre.	
Max. torque	700 Nm	
Fork span b_5	560 or 680	
Overall width b_1	ELFR: 932, SELFR: 890 (ELFR and SELFR: distance between steering wheels: 860)	
Fork length l	1250	
Overall length l_1	2000	1955
Tilt function	355° (with one adjustable stop in every side) (Standard: 45° to every side)	
Tilt area	Forks: 400-900 (h_3). Multi-purpose carriage: 680-1180 from floor to rotation centre	
Tilt time (0-180°)	Minimum 30 sec. (adjustable)	
Electric motor for tilt function	12 V, 24 A	24 V, 12 A
Motor specifications	0,2 kw, 3000 r/m	
Gear	1:228	
Motor	Permanent magnet motor, IP 44, class F	
Operation	Not continuously (S2= 10 min)	
Box holder with/without clamps (optional extras) b	For box widths of 800, 850 or 1000 mm by a fork span of 560 mm. For box widths of 1000, 1050 or 1200 mm by a fork span of 680 mm. Special arrangements for a maximum box width of 1400 mm are possible. Box holders with clamps can hold boxes of heights between 380 and 870 mm, when tilted.	

Please see other dimensions in the leaflets for LF/ELF, LFS/ELFS, SELF and SELFS.

We also offer tailor-made solutions.

Please ask for further information or visit our website www.logitrans.com